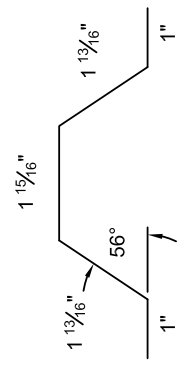
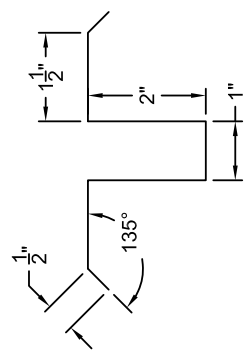
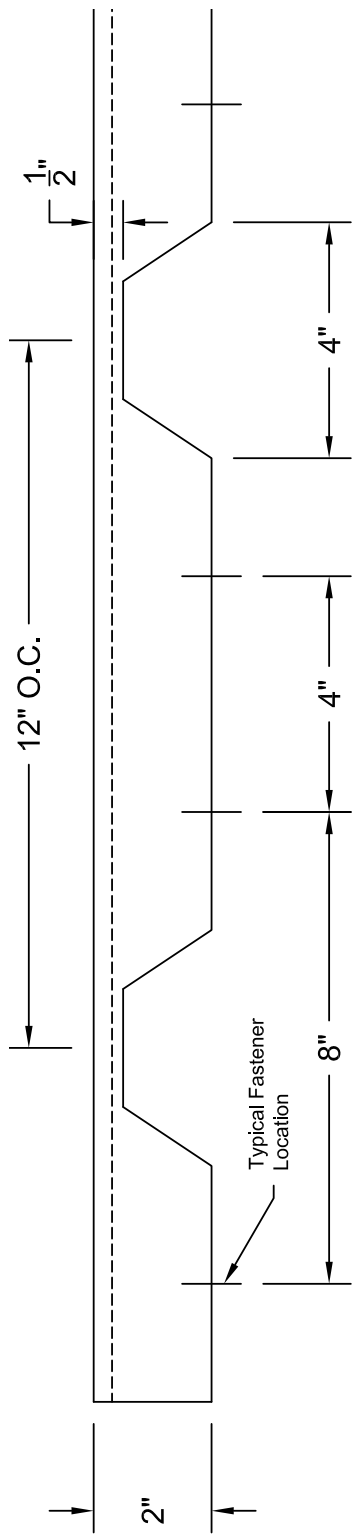


SUBFRAME
STANDARD
DETAILS



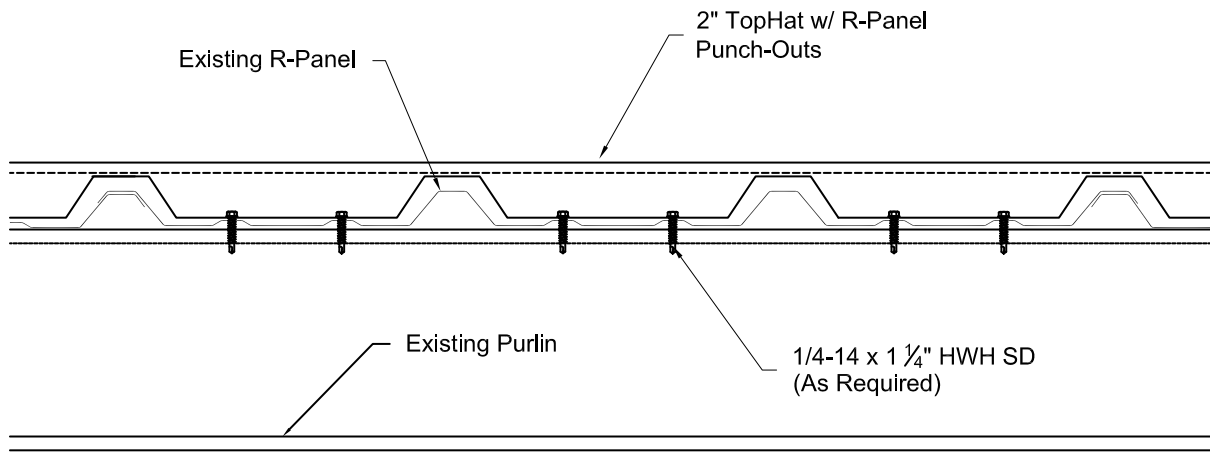
TopHat Framing Systems, LLC • www.tophatframing.com



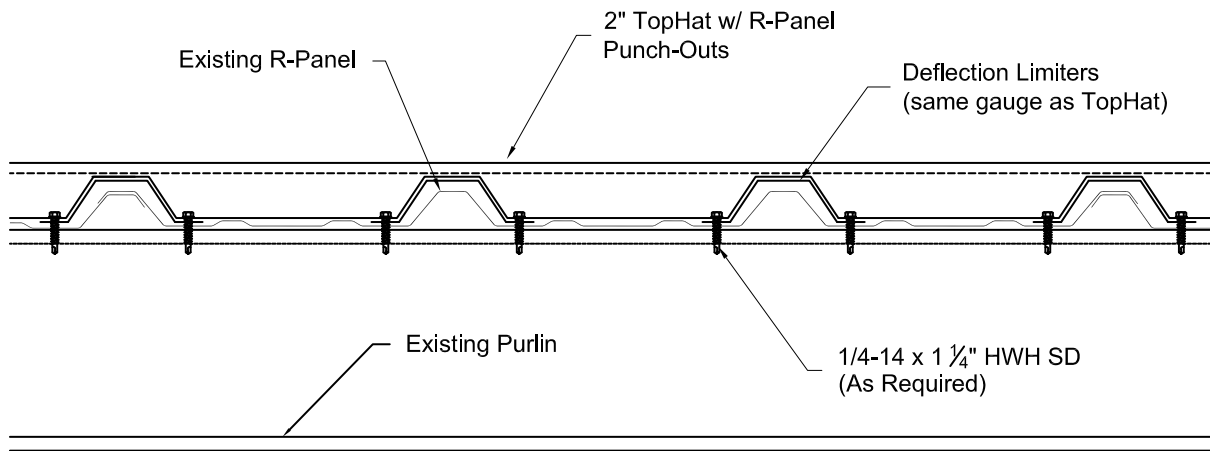
Deflection Limiter
If Required By Engineering



2" TOPHAT W/ R-PANEL PUNCH-OUT



No Deflection Limiters - Field Zone
As Determined by Engineering

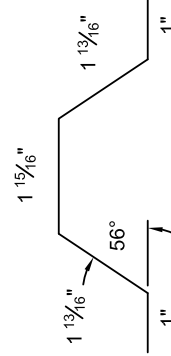
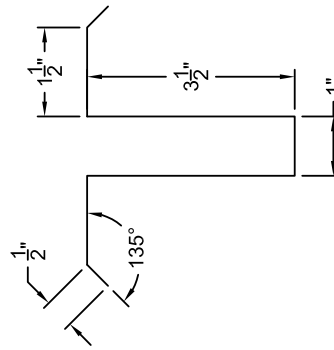
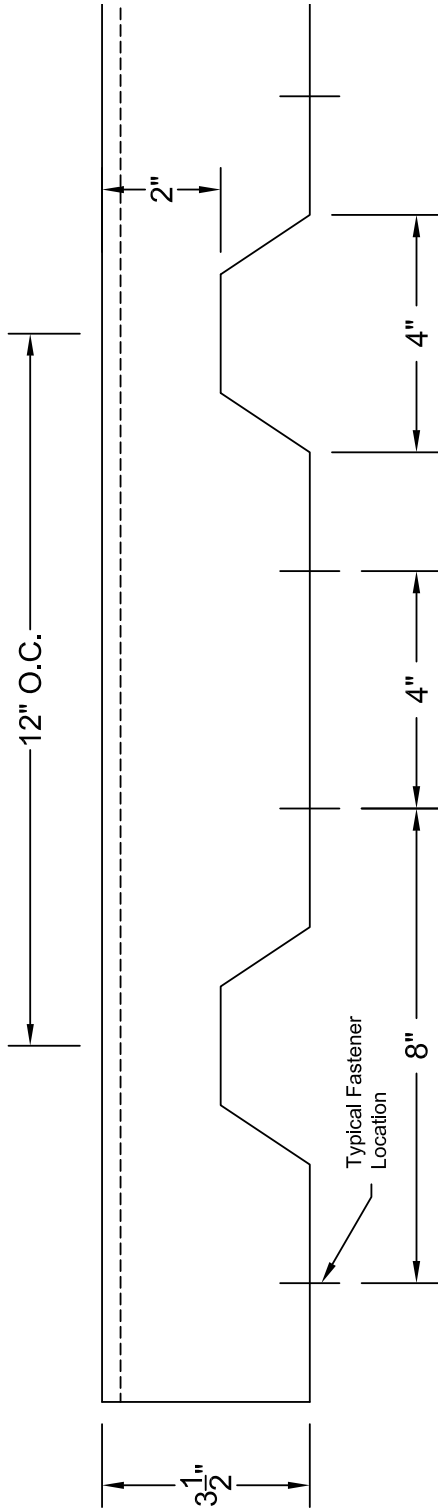


Deflection Limiters - Edge and Corner Zones (if required)
As Determined by Engineering



2" TOPHAT OVER R-PANEL

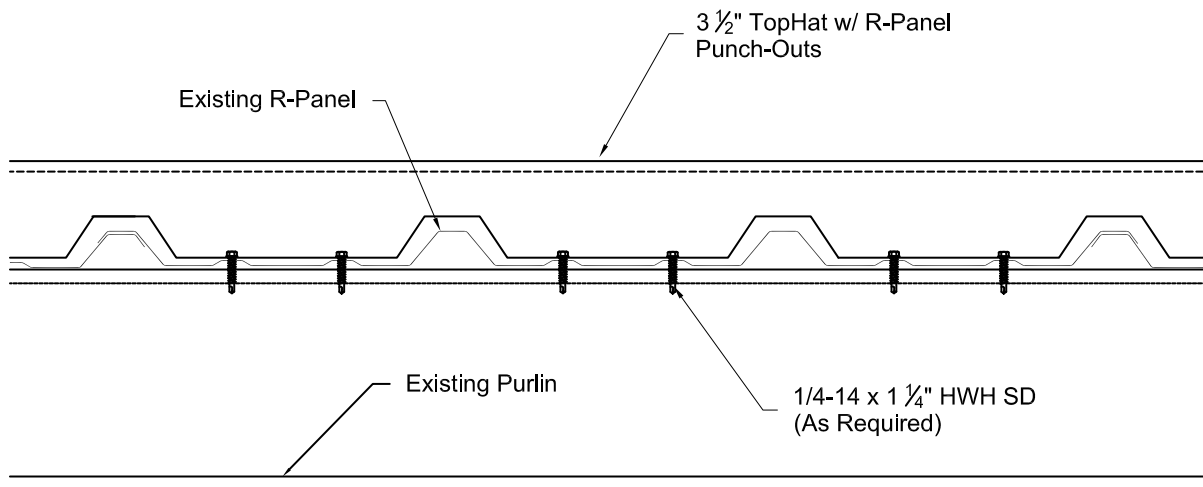
TopHat Framing Systems, LLC Ohio 888-459-0421 • 330-931-9201 www.tophatframing.com



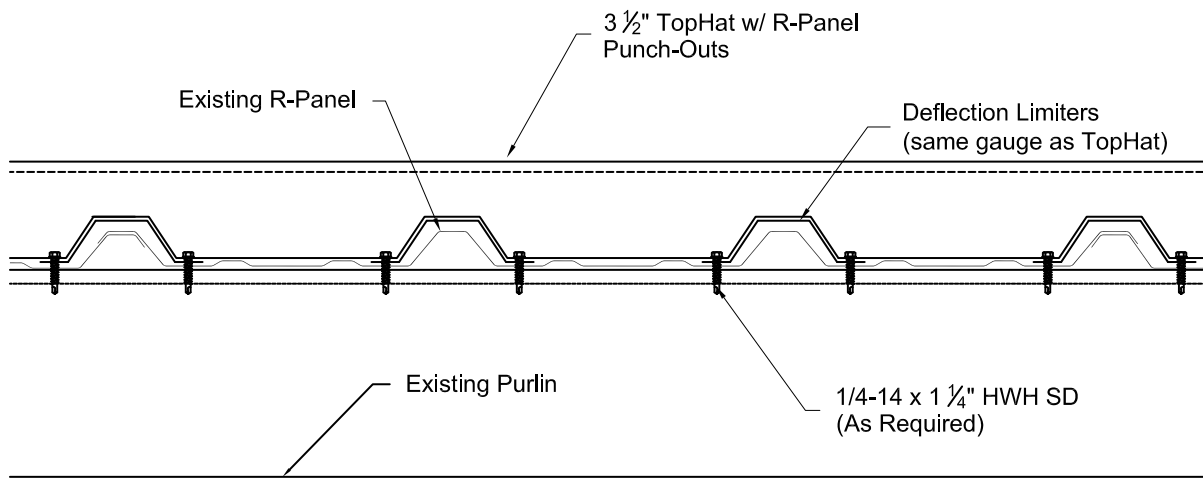
Deflection Limiter
If Required By Engineering



3 1/2" TOPHAT W/ R-PANEL PUNCH-OUT



No Deflection Limiters - Field Zone
As Determined by Engineering

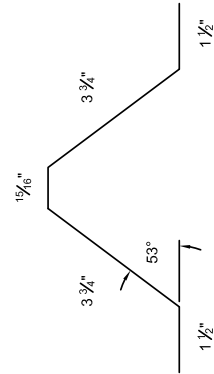
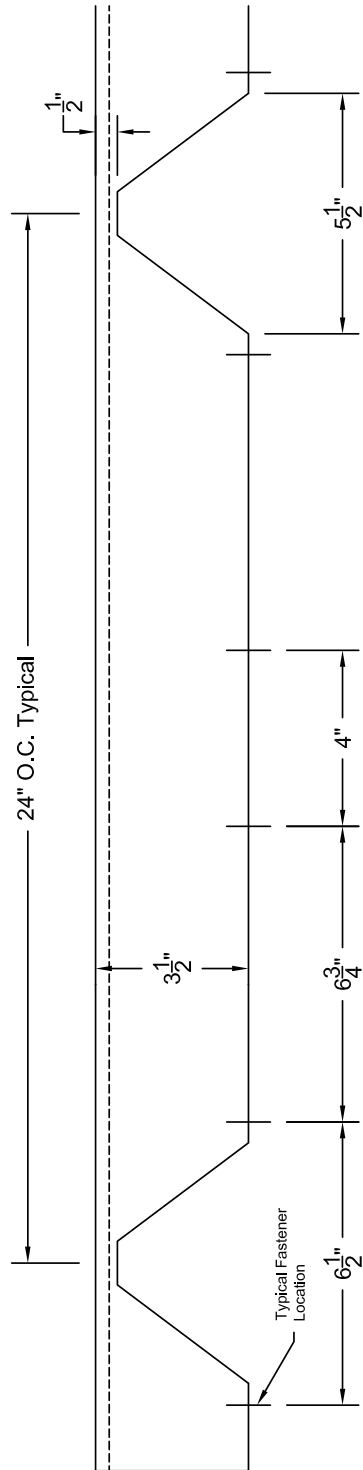


Deflection Limiters - Edge and Corner Zones (if required)
As Determined by Engineering

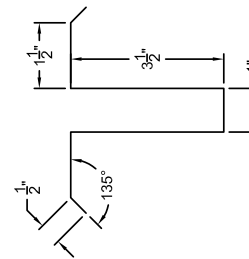


3 1/2" TOPHAT OVER R-PANEL

TopHat Framing Systems, LLC Ohio 888-459-0421 • 330-931-9201 www.tophatframing.com

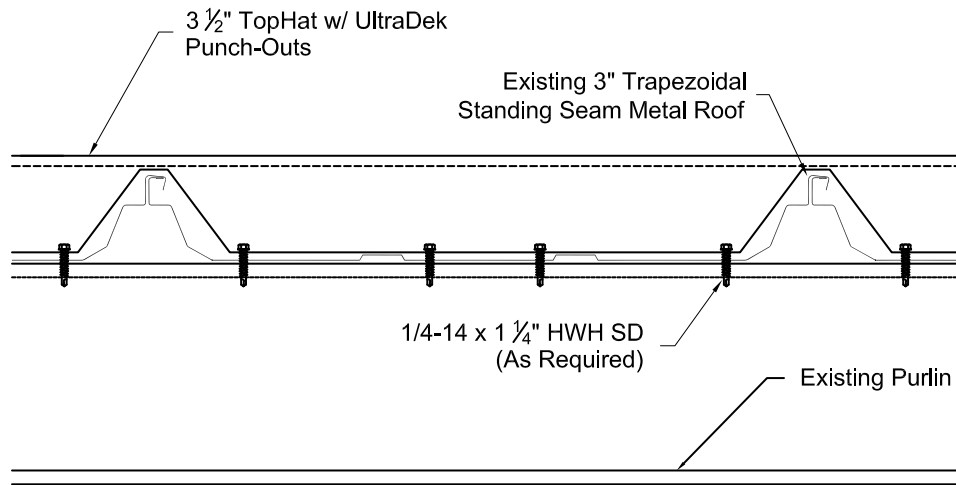


Deflection Limiter
If Required By Engineering

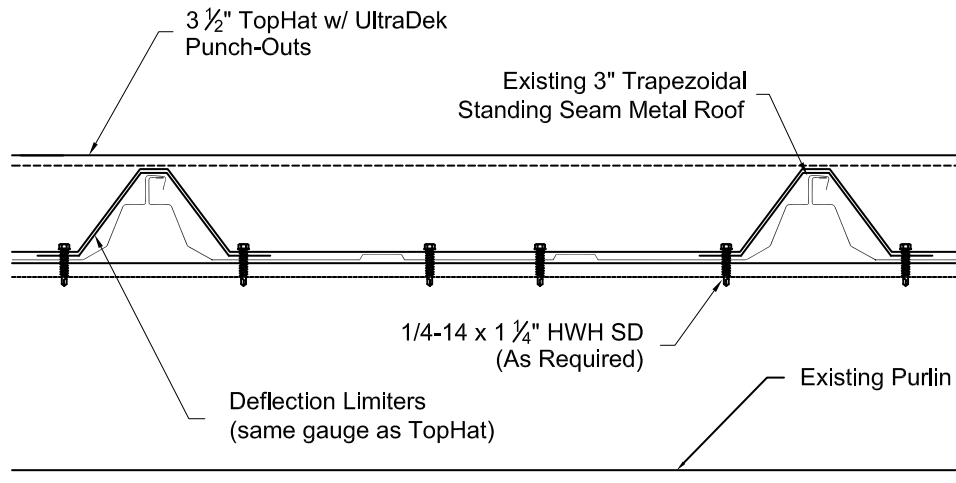


3 1/2" TOPHAT W/ ULTRA-DEK PUNCH-OUT

TopHat Framing Systems, LLC Ohio 888-459-0421 • 330-931-9201 www.tophatframing.com



No Deflection Limiters - Field Zone
As Determined by Engineering

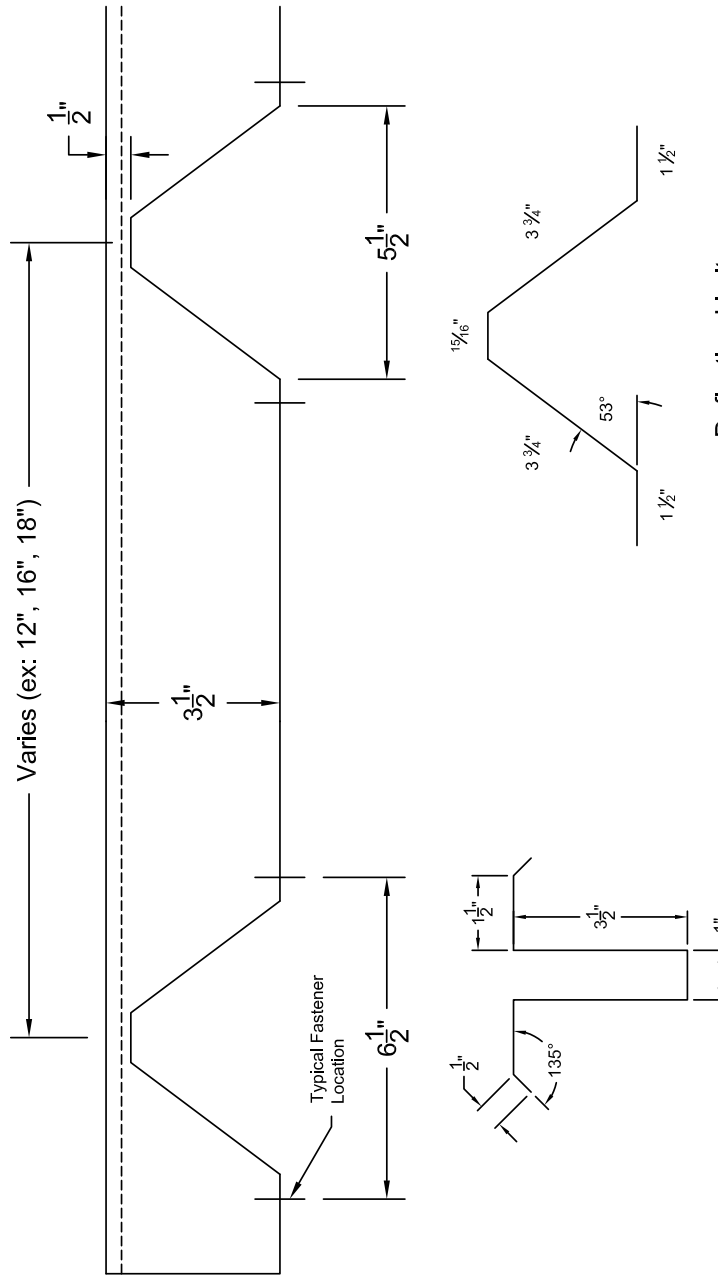


Deflection Limiters - Edge and Corner Zones (if required)
As Determined by Engineering



3 1/2" TOPHAT OVER ULTRA-DEK

TopHat Framing Systems, LLC Ohio 888-459-0421 • 330-931-9201 www.tophatframing.com

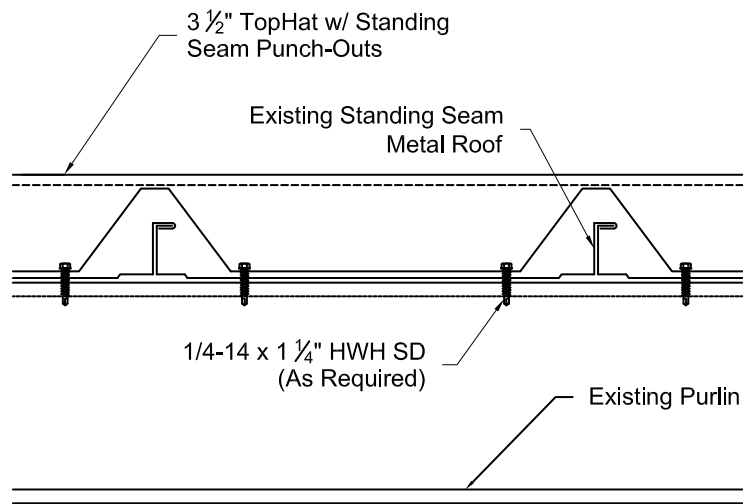


Deflection Limiter
If Required By Engineering

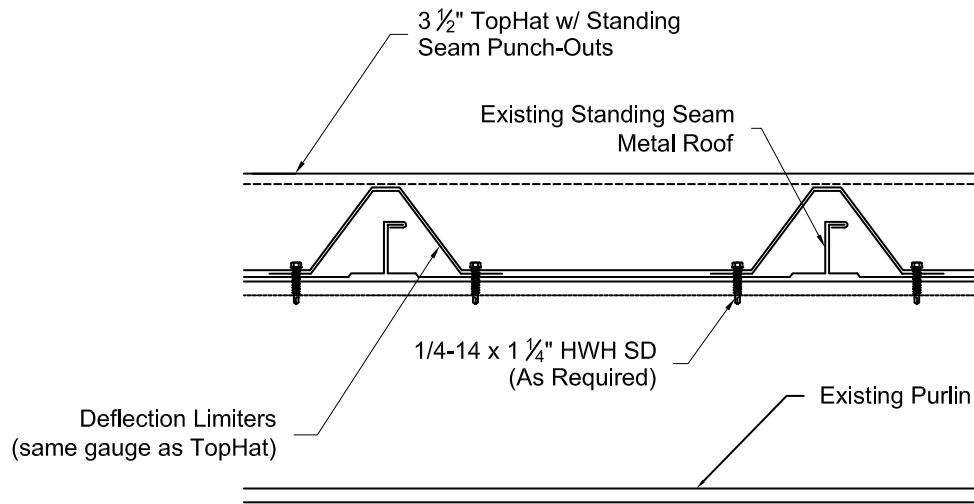
Note: This TopHat profile will accommodate a majority of standing seam panels 3" or less



3 1/2" TOPHAT W/ STANDING SEAM PUNCH-OUT



No Deflection Limiters - Field Zone
As Determined by Engineering

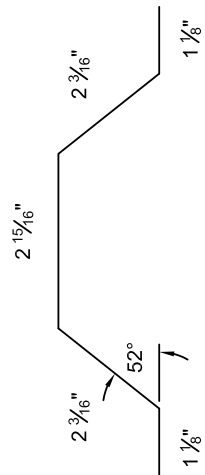
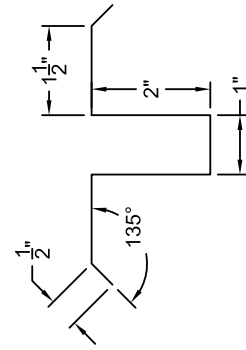
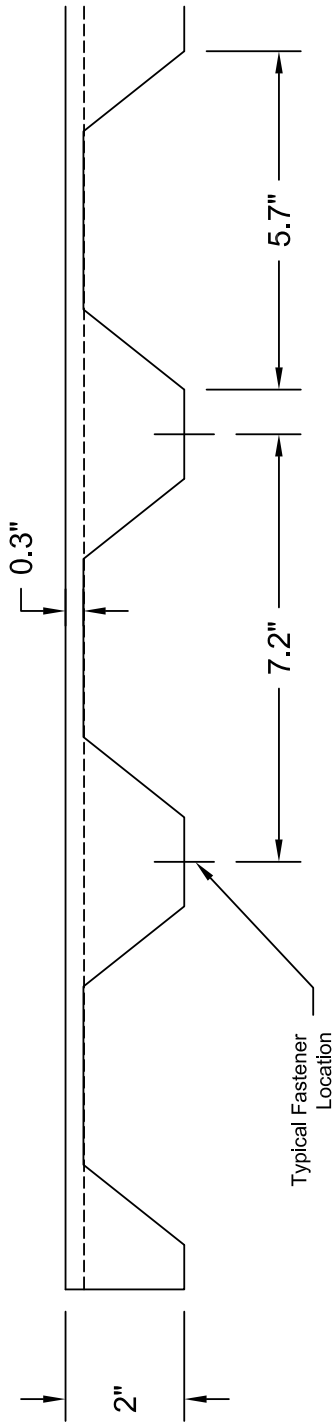


Deflection Limiters - Edge and Corner Zones (if required)
As Determined by Engineering



3 1/2" TOPHAT OVER STANDING SEAM

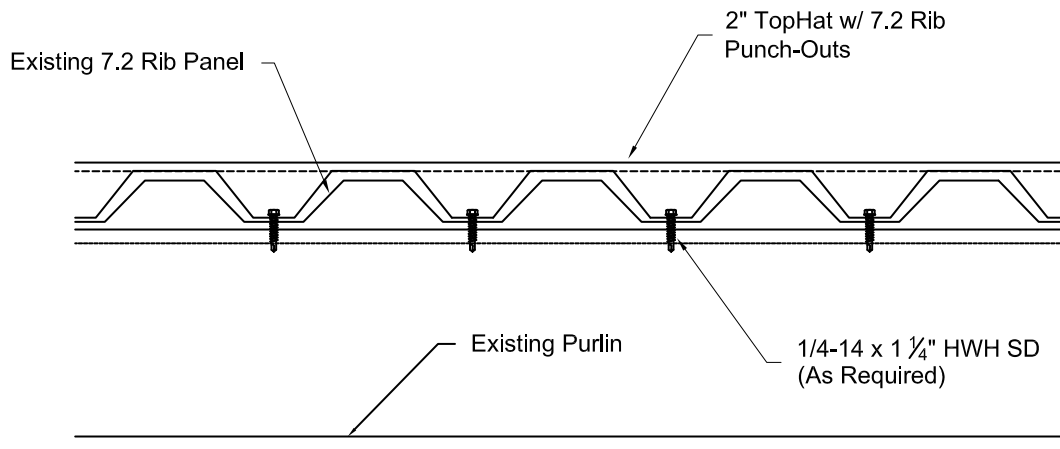
TopHat Framing Systems, LLC Ohio 888-459-0421 • 330-931-9201 www.tophatframing.com



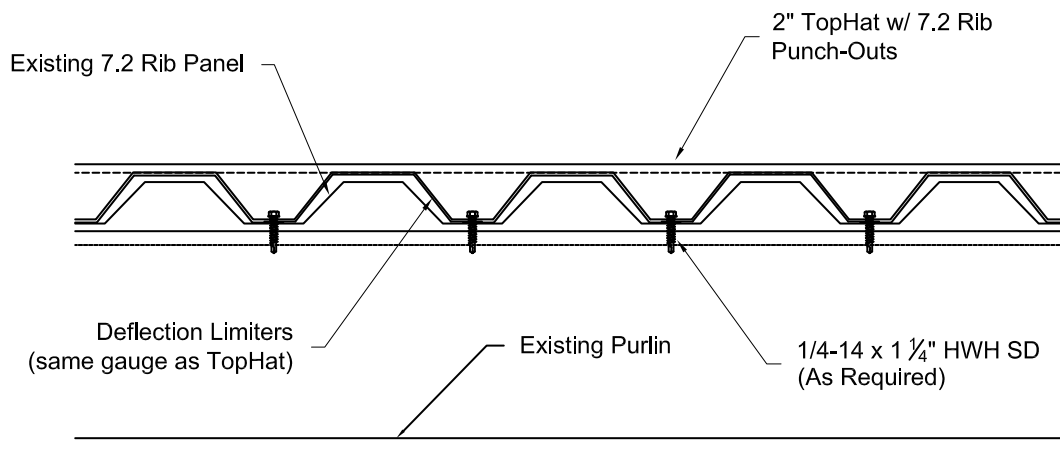
Deflection Limiter
If Required By Engineering



2" TOPHAT W/ 7.2 RIB PUNCH-OUT



No Deflection Limiters - Field Zone
As Determined by Engineering

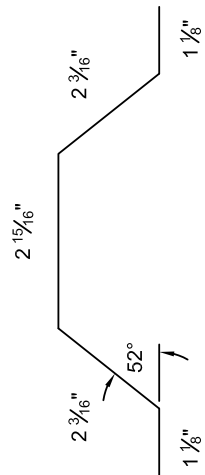
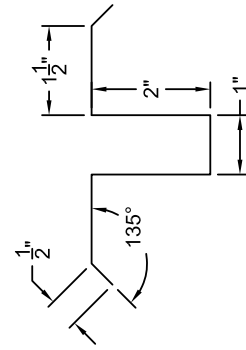
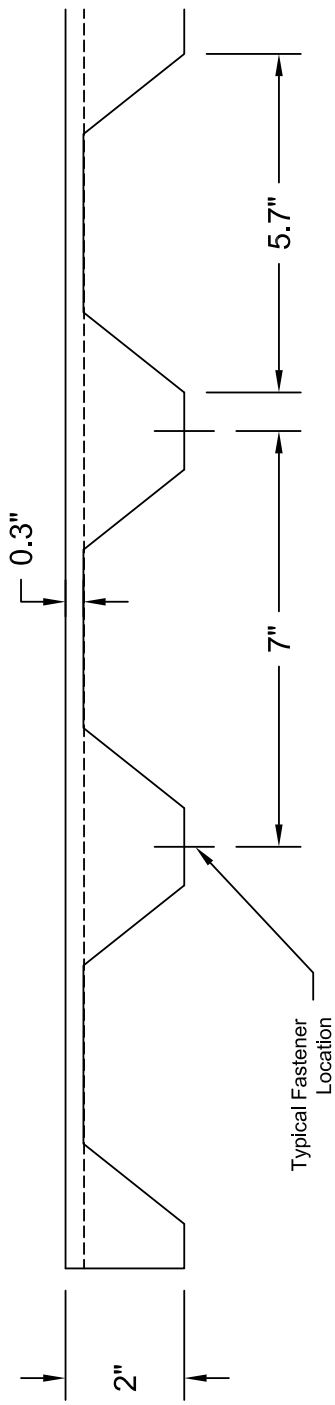


Deflection Limiters - Edge and Corner Zones (if required)
As Determined by Engineering



2" TOPHAT OVER 7.2 RIB

TopHat Framing Systems, LLC Ohio 888-459-0421 • 330-931-9201 www.tophatframing.com

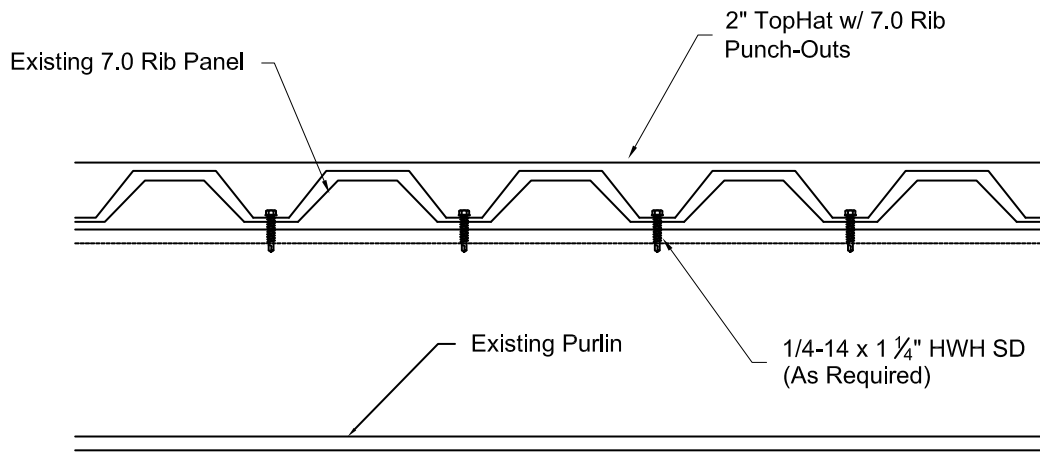


Deflection Limiter
If Required By Engineering

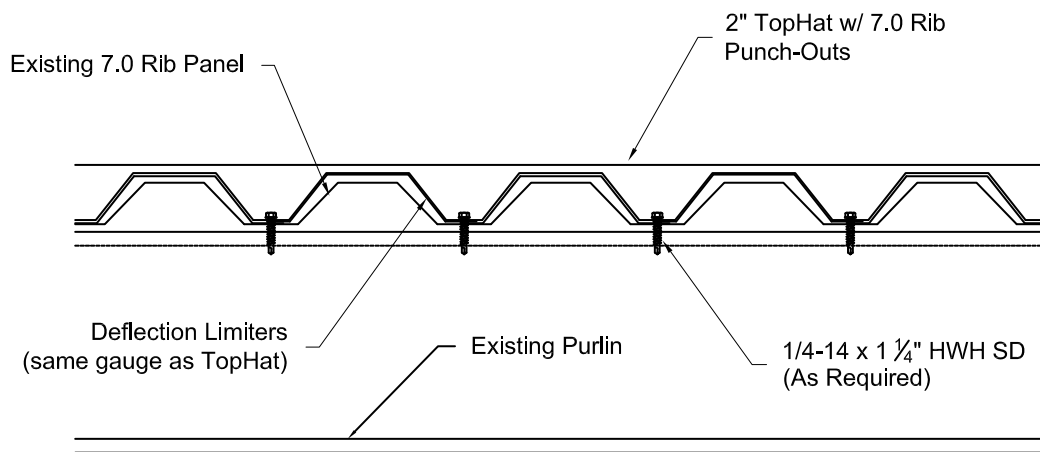


2" TOPHAT W/ 7.0 RIB PUNCH-OUT

TopHat Framing Systems, LLC Ohio 888-459-0421 • 330-931-9201 www.tophatframing.com



No Deflection Limiters - Field Zone
As Determined by Engineering

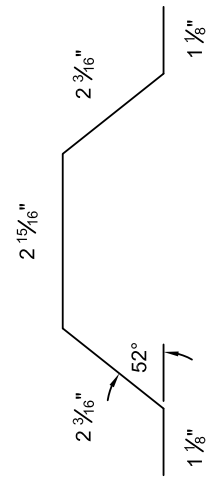
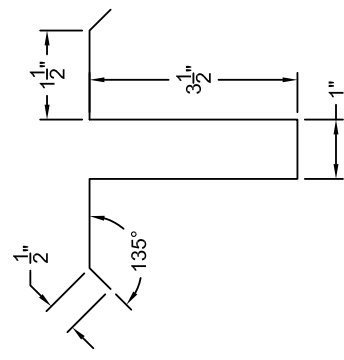
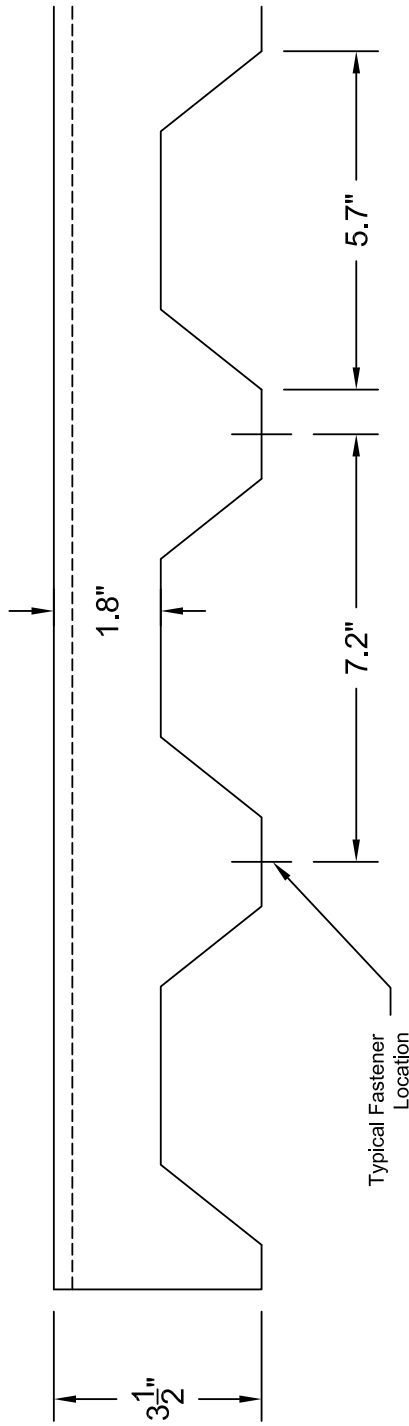


Deflection Limiters - Edge and Corner Zones (if required)
As Determined by Engineering



2" TOPHAT OVER 7.0 RIB

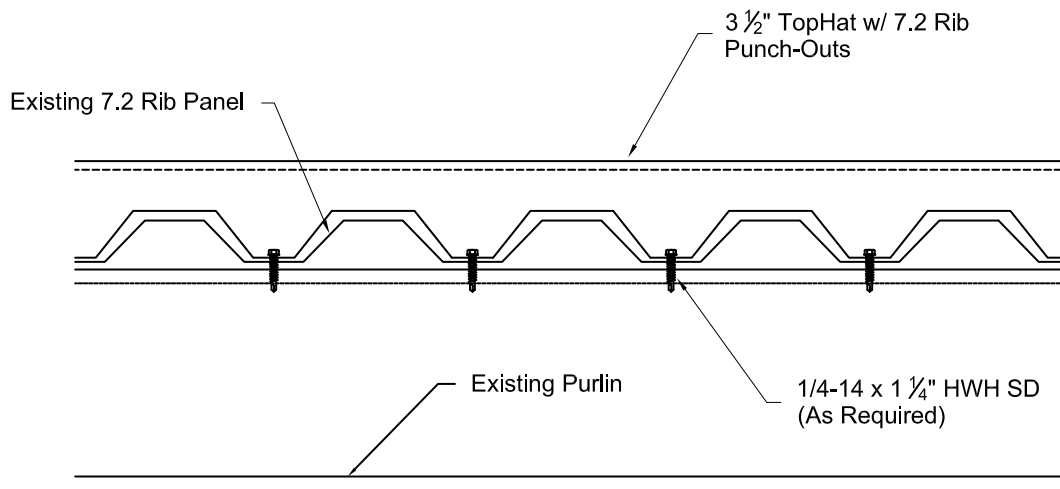
TopHat Framing Systems, LLC Ohio 888-459-0421 • 330-931-9201 www.tophatframing.com



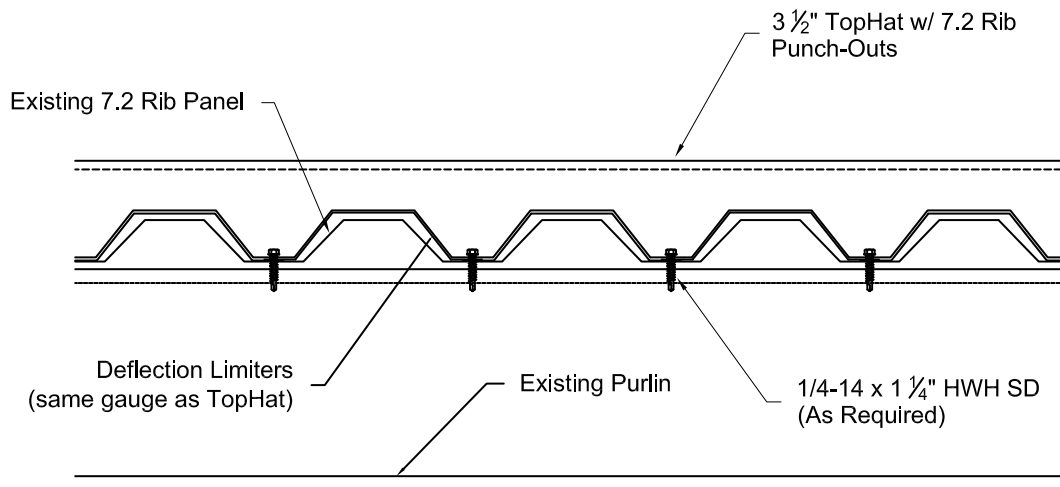
Deflection Limiter
If Required By Engineering



3 1/2" TOPHAT W/ 7.2 RIB PUNCH-OUT



No Deflection Limiters - Field Zone
As Determined by Engineering

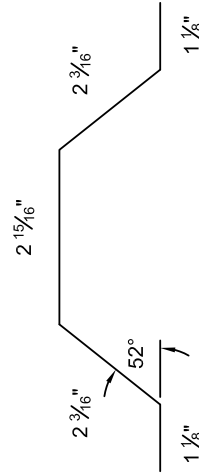
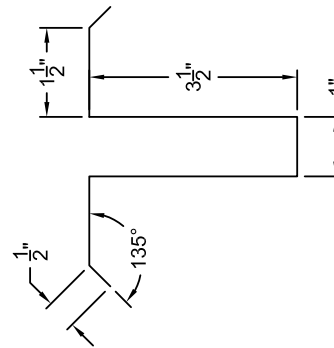
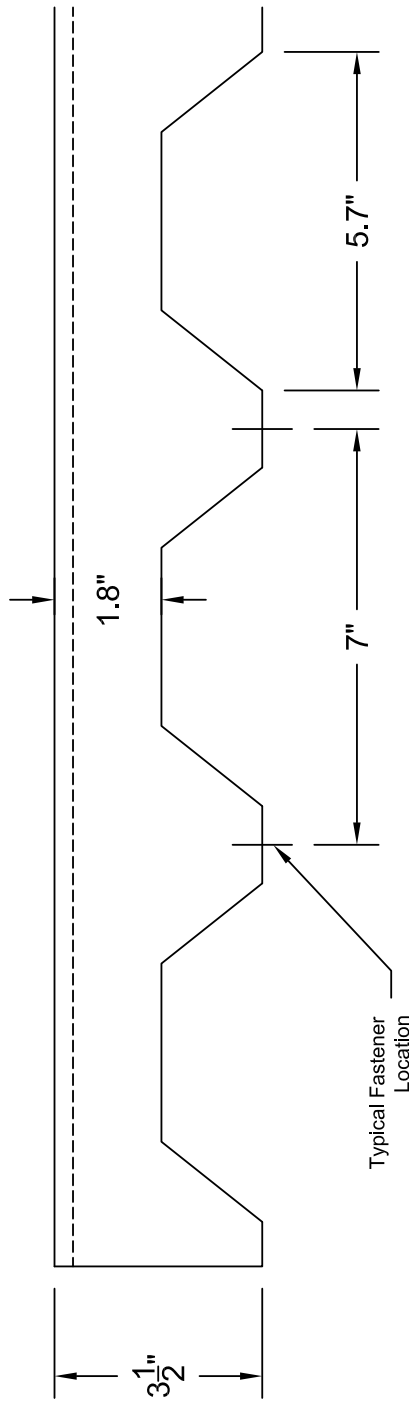


Deflection Limiters - Edge and Corner Zones (if required)
As Determined by Engineering



3 1/2" TOPHAT OVER 7.2 RIB

TopHat Framing Systems, LLC Ohio 888-459-0421 • 330-931-9201 www.tophatframing.com

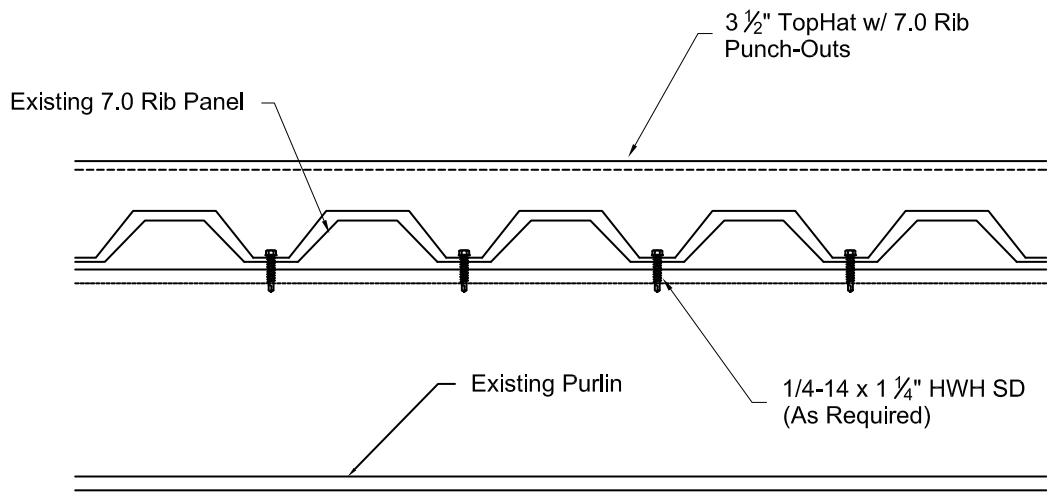


Deflection Limiter
If Required By Engineering

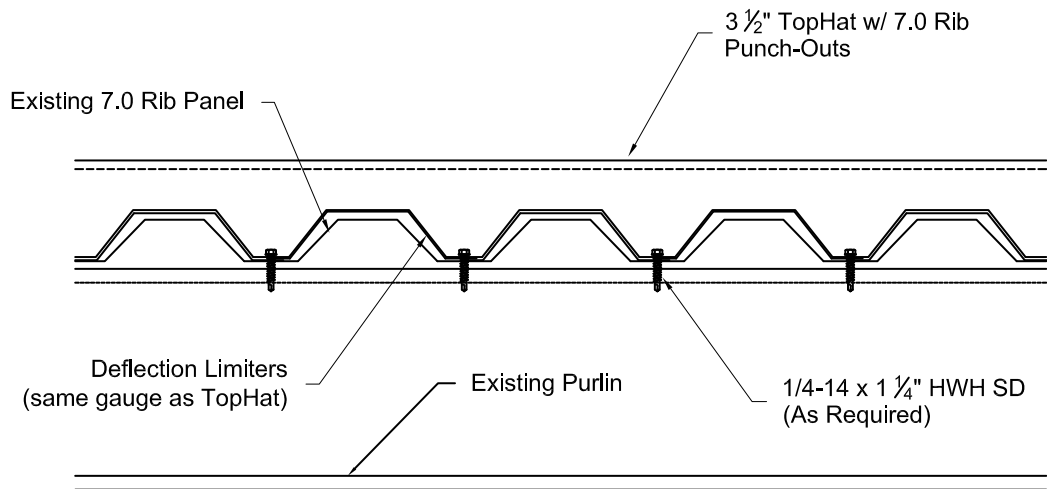


3 1/2" TOPHAT W/ 7.0 RIB PUNCH-OUT

TopHat Framing Systems, LLC Ohio 888-459-0421 • 330-931-9201 www.tophatframing.com



No Deflection Limiters - Field Zone
As Determined by Engineering

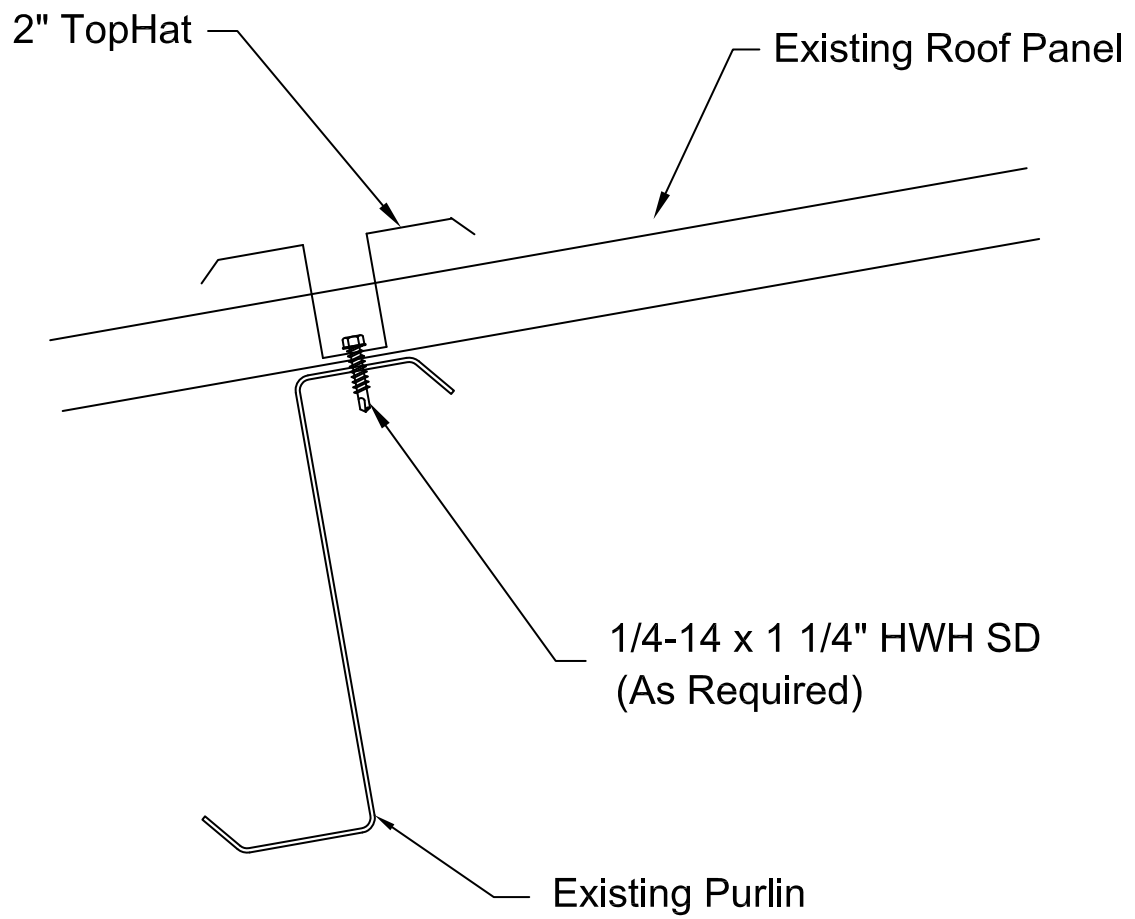


Deflection Limiters - Edge and Corner Zones (if required)
As Determined by Engineering



3 1/2" TOPHAT OVER 7.0 RIB

TopHat Framing Systems, LLC Ohio 888-459-0421 • 330-931-9201 www.tophatframing.com

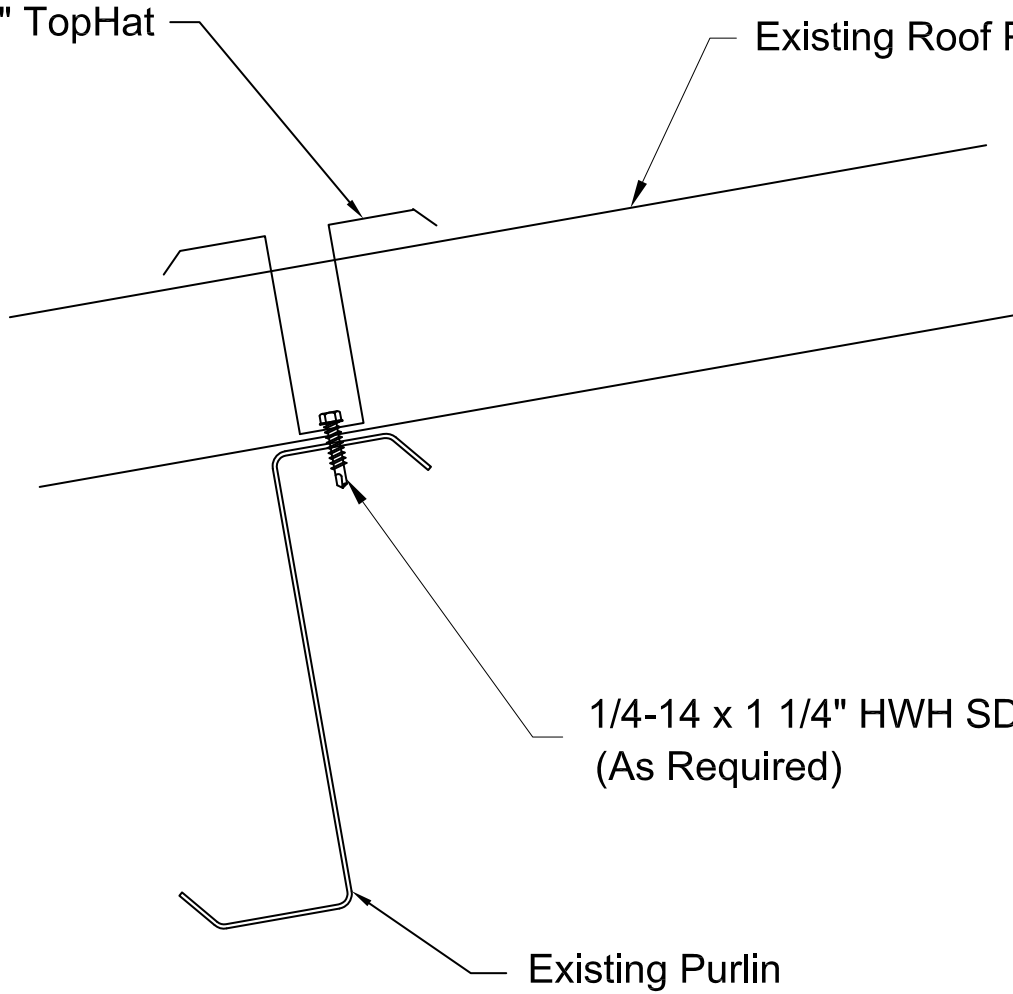


2" TOPHAT SECTION

TopHat Framing Systems, LLC Ohio 888-459-0421 • 330-931-9201 www.tophatframing.com

3 1/2" TopHat

Existing Roof Panel



1/4-14 x 1 1/4" HWH SD
(As Required)

Existing Purlin



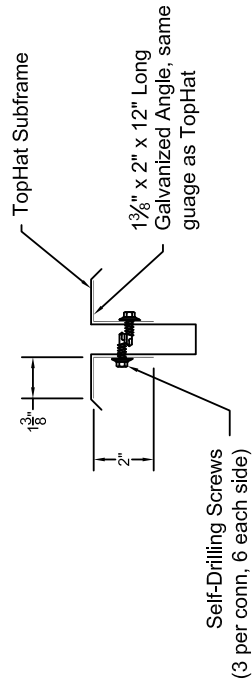
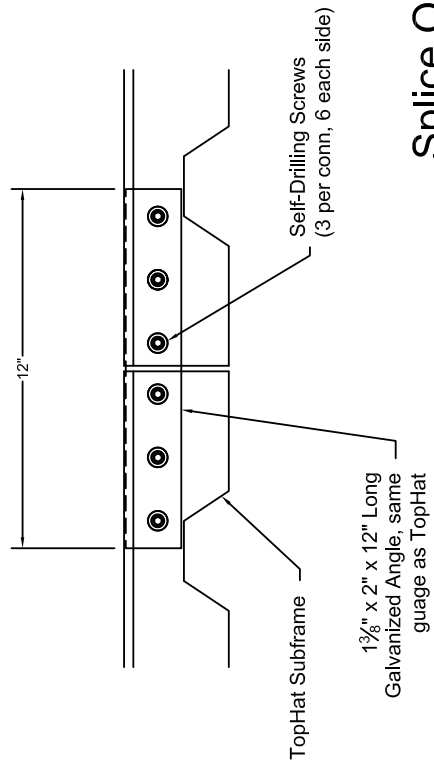
3 1/2" TOPHAT SECTION

TopHat Framing Systems, LLC Ohio 888-459-0421 • 330-931-9201 www.tophatframing.com

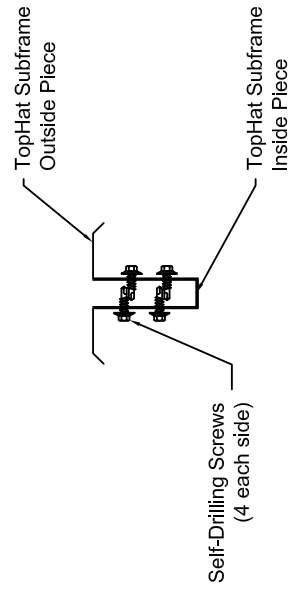
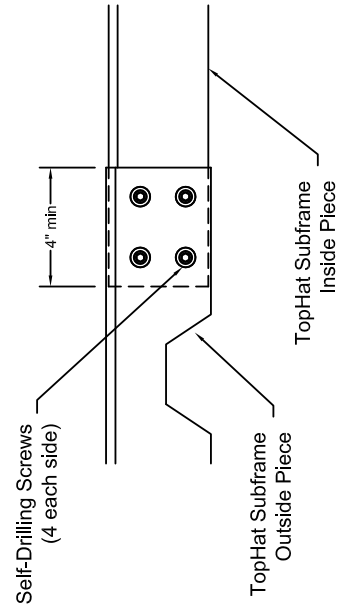


TOPHAT LAP DETAIL

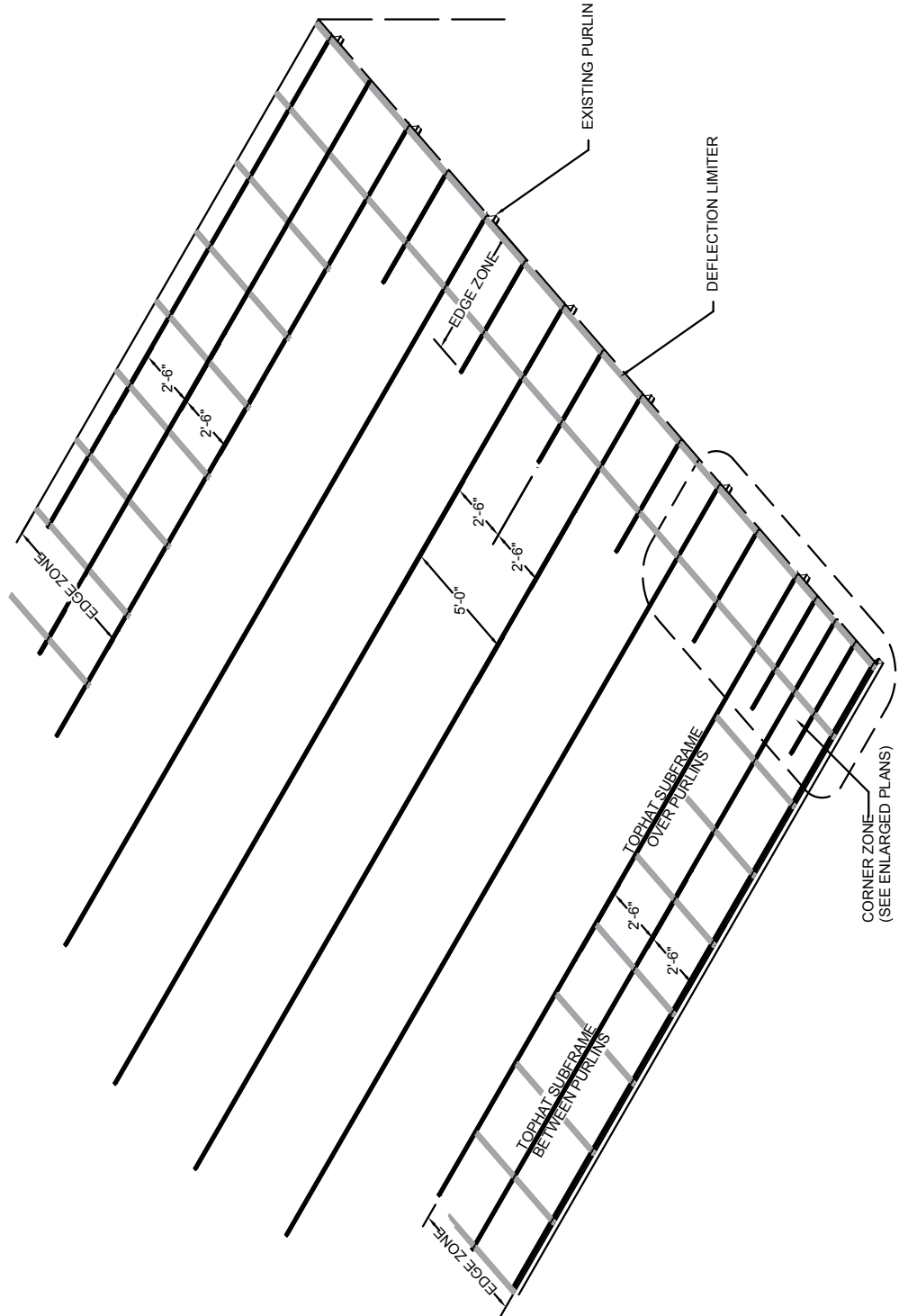
TopHat Framing Systems, LLC Ohio 888-459-0421 • 330-931-9201 www.tophatframing.com



Splice Option #1



Splice Option #2



TOPHAT TYPICAL GRID LAYOUT

TopHat Framing Systems, LLC Ohio 888-459-0421 • 330-931-9201 www.tophatframing.com

Deflection limiter
same gauge as TopHat

Existing purlin

Deflection limiter
same gauge as TopHat

Existing roof panel

CROSS SECTION @ PURLIN

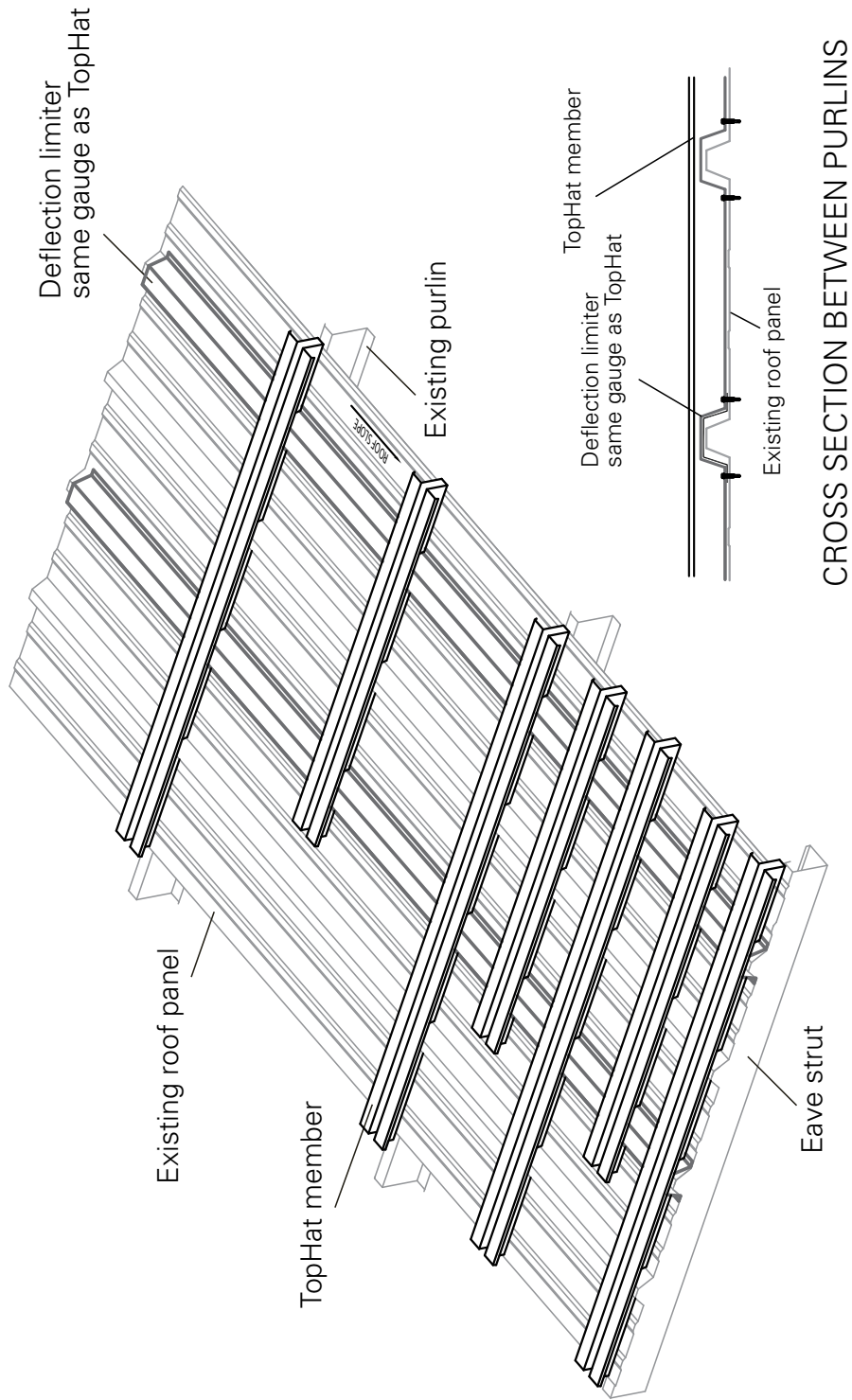
Existing roof panel

Eave strut



TOPHAT TYPICAL GRID LAYOUT — ENLARGED PLAN 1

TopHat Framing Systems, LLC Ohio 888-459-0421 • 330-931-9201 www.tophatframing.com



TOPHAT TYPICAL GRID LAYOUT — ENLARGED PLAN 2