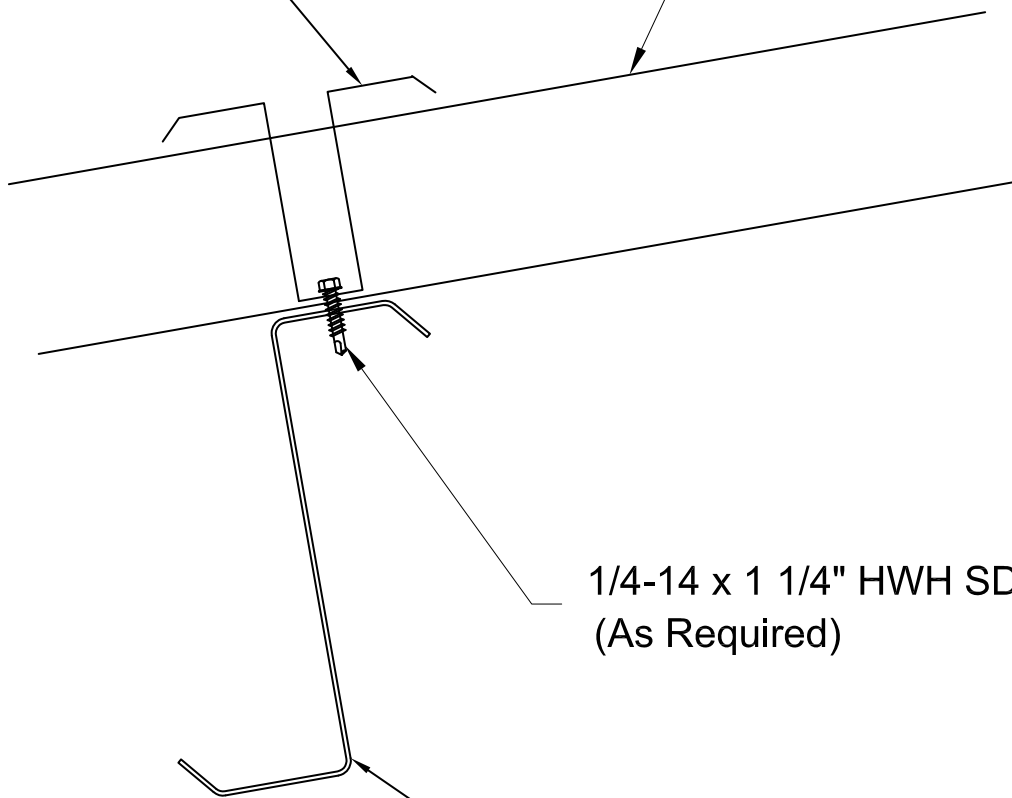


3 1/2" TopHat

Existing Roof Panel



1/4-14 x 1 1/4" HWH SD  
(As Required)

Existing Purlin



### 3 1/2" TOPHAT SECTION

TopHat Framing Systems, LLC Ohio 888-459-0421 • 330-931-9201 [www.tophatframing.com](http://www.tophatframing.com)