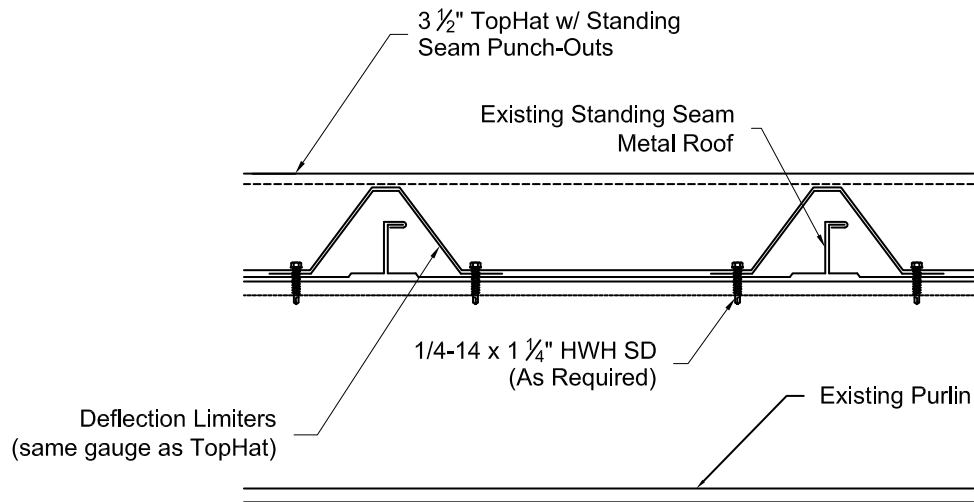


No Deflection Limiters - Field Zone
As Determined by Engineering



Deflection Limiters - Edge and Corner Zones (if required)
As Determined by Engineering



3 1/2" TOPHAT OVER STANDING SEAM

TopHat Framing Systems, LLC Ohio 888-459-0421 • 330-931-9201 www.tophatframing.com